



HEXAGON

UNITED ALABASTER

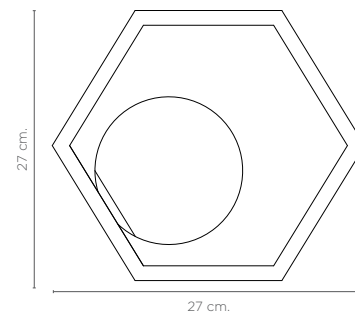
HEXAGON 50-3900

Table lamp



The contradiction of the organic forms with the straight lines unites these two polygons creating an ambient table light with art deco characteristics. Two types of alabaster stone are combined: one translucent and the other opaque.


HEXAGON



Technical Specs

G9 LED 2,5w 3000K
27 x 27 x 10 cm
D. 16 cm

Structure

-  Nickel
-  Black Nickel

Base

-  Brown Sarral Alabaster

Alabaster

-  White Gelsa